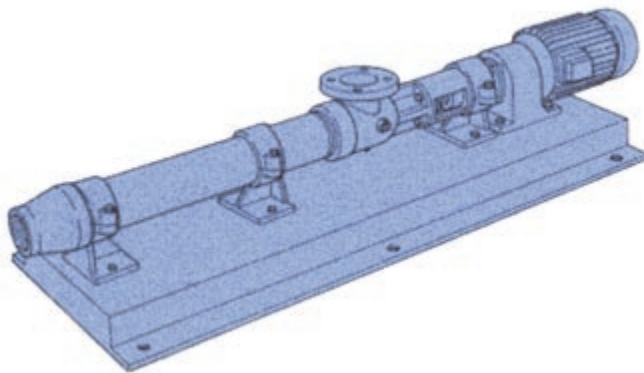


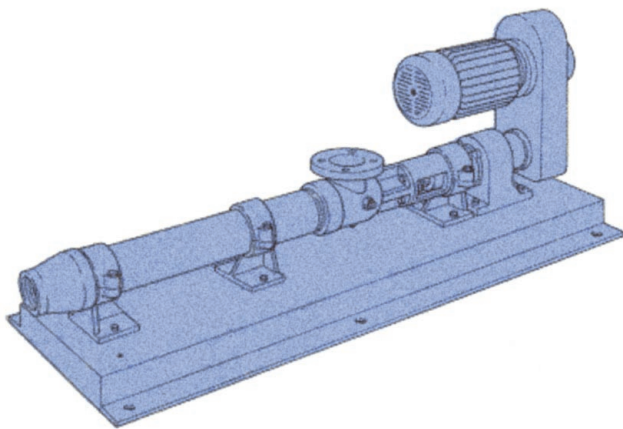
3. Ensamble de Bombas con Motor Eléctrico

Run-Dry Protection

When the possibility of running dry exists, L, J and JS progressing cavity pumps should be equipped with a protective device. Three options are suggested, based on availability, economy, ease and convenience of field installation, and material being pumped.

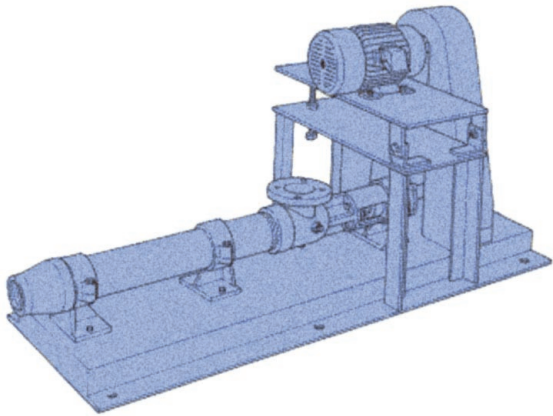


Geared motor drive flexible coupling

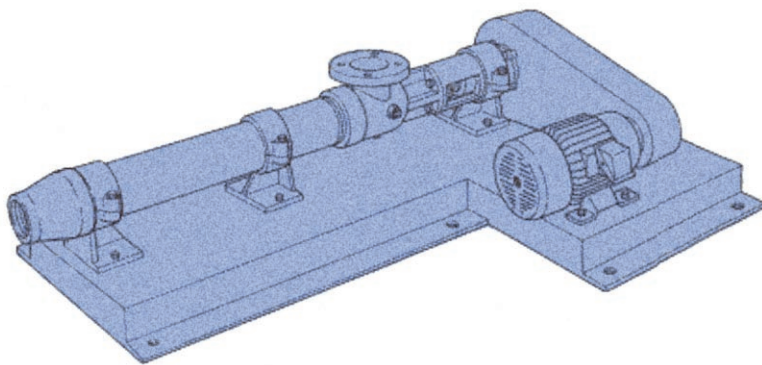


*Variable speed motor drive
flexible coupling*

3. Ensamble de Bombas con Motor Eléctrico



Motor and V-belt drive overhead mounting



Motor and V-belt drive left or right hand "L" Base